



N-BUGGY

The C&M N Buggy is an innovative mobile fertiliser dispenser designed for granulated fertilisers, with a capacity of up to 4500kg.

It delivers accurate, metered, and unattended fertiliser application into irrigation water, featuring a calibrated controller, solar-charged deep cycle batteries, and heavy-duty construction.

Ideal for horticulture, row cropping, and broad-acre industries, it represents a new generation of fertiliser dispensing technology.

FEATURES & BENEFITS

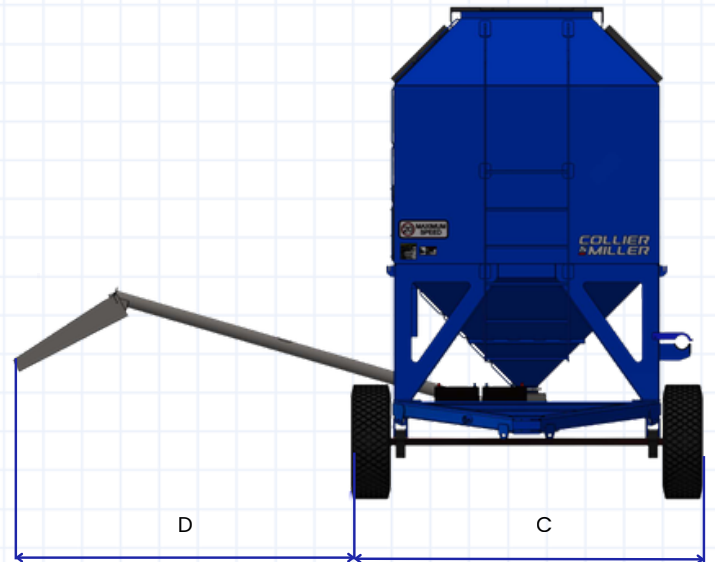
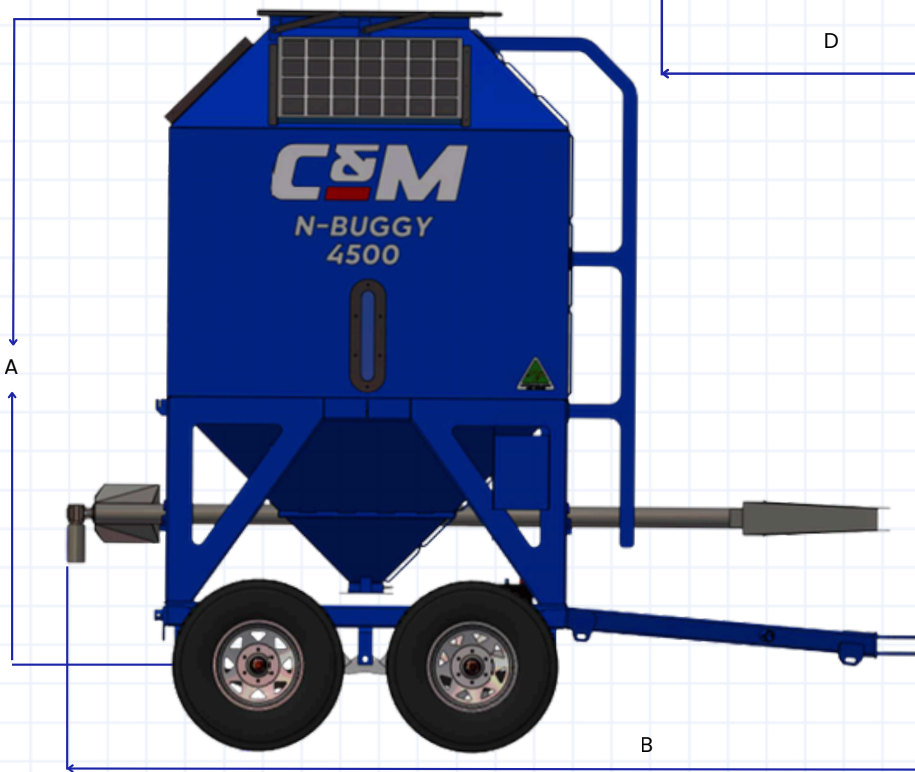
- Electronic calibration
- 12V battery power
- Solar power recharge
- Spring suspension
- Detachable auger may be placed in multiple positions
- Heavy-duty design
- Powder coated finish (option for stainless steel)
- Custom design and additions available



COLLIER & MILLER



SCAN FOR
MORE INFO



MODEL	CMNB
CAPACITY	4500kg (Urea)
C = OVERALL WIDTH	2370mm
A = OVERALL HEIGHT	3300mm
B = OVERALL LENGTH	3811mm
POWER SUPPLY	2 x 12 volt Deep Cycle Batteries
SOLAR PANELS	2 x 120 watt
POWDER COATED FINISH (BIN)	Yes
TIMER	12 volt time
D = AUGER HANGOUT	2235mm
AUGER REACH	2203mm

COLLIER & MILLER